



MX23C8000

8M-BIT [1M x 8] CMOS MASK ROM

FEATURES

- 1M x 8 organization
- Single +5V power supply
- Fast access time : 100/120/150/200ns
- Totally static operation
- Completely TTL compatible

- Operating current : 40mA
- Standby current : 100uA
- Package
 - 32 pin plastic DIP
 - 32 pin plastic SOP
 - 32 pin plastic PLCC
 - 32 pin plastic TSOP

GENERAL DESCRIPTION

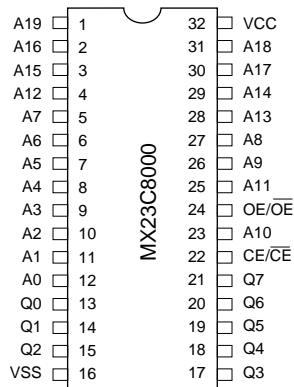
The MX23C8000 is a 5V only, 8M-bit, Read Only Memory. It is organized as 1M words by 8 bits, operates from a single +5V supply, has a static standby mode, and has an access time of 100/120/150/200ns. It is designed to be compatible with all microprocessors and similar applications in which high performance, large bit storage and simple interfacing are important design considerations.

MX23C8000 offers automatic power-down, with power-down controlled by the chip enable (CE) input. When CE goes high, the device automatically powers down and remains in a low-power standby modes as long as CE remains high.

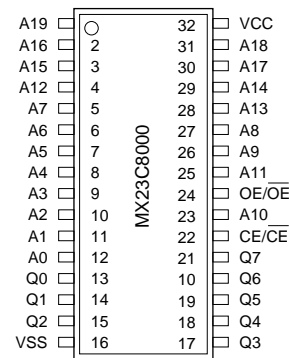
MX23C8000 pin 24 may also be programmed either active HIGH or LOW in order to eliminate bus contention in multiple-bus microprocessor systems.

PIN CONFIGURATION

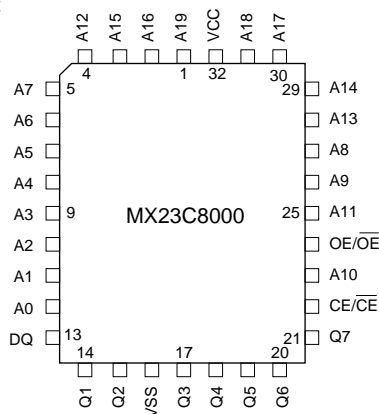
32 PDIP



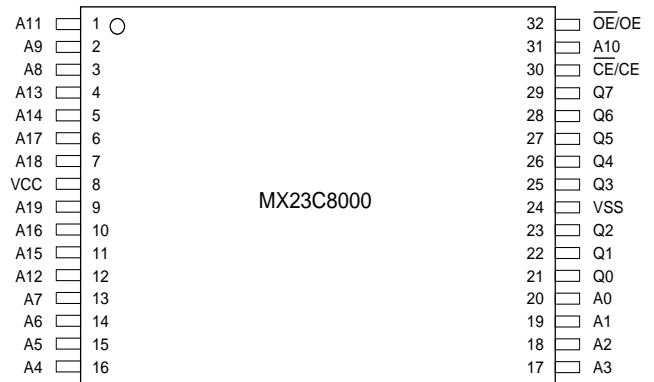
32 SOP



32 PLCC



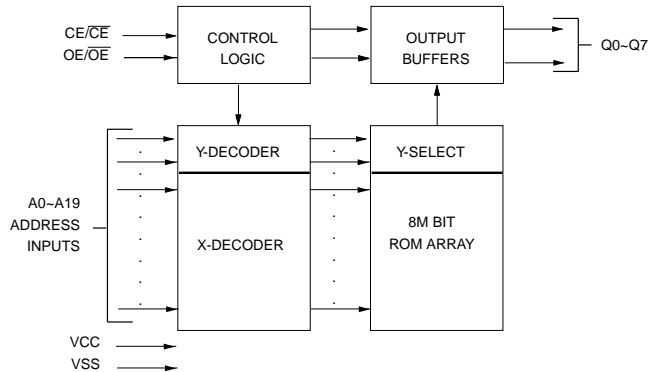
32 TSOP



PIN DESCRIPTION

Symbol	Pin Function
A0~A19	Address Inputs
Q0~Q7	Data Outputs
CE/ \overline{CE}	Chip Enable Input
OE/ \overline{OE}	Output Enable Input
VCC	Power Supply Pin (+5V)
VSS	Ground Pin

BLOCK DIAGRAM



ABSOLUTE MAXIMUM RATINGS*

RATING	VALUE
Ambient Operating Temperature	0°C to 70°C
Storage Temperature	-65°C to 125°C
Applied Input Voltage	-0.5V to VCC+0.5
Applied Output Voltage	-0.5V to VCC+0.5
VCC to Ground Potential	-0.5V to 7.0V
Power Dissipation	1.0W

***Note:**

Stress greater than those listed under ABSOLUTE MAXIMUM RATINGS may cause permanent damage to the device. This is a stress rating only and functional operation of the device at these or any other conditions above those indicated in the operational sections of this specification is not implied. Exposure to absolute maximum rating conditions for extended period may affect reliability.

DC CHARACTERISTICS (Ta = 0°C ~ 70°C, VCC = 5.0V ± 10%)

Item	Symbol	MIN.	MAX.	Conditions
Output High Voltage	VOH	2.4V	-	IOH = -1.0mA
Output Low Voltage	VOL	-	0.4V	IOL = 2.1mA
Input High Voltage	VIH	2.2V	VCC+0.3V	
Input Low Voltage	VIL	-0.3V	0.8V	
Input Leakage Current	ILI	-	10uA	VIN=0 to 5.5V
Output Leakage Current	ILO	-	10uA	VOUT=0 to 5.5V
Power-Down Supply Current	ICC3	-	100uA	\overline{CE} >VCC-0.2V
Standby Supply Current	ICC2	-	1.0mA	\overline{CE} =VIH
Operating Supply Current	ICC1	-	40mA	Note 1

CAPACITANCE (Ta = 25°C, f=1.0MHz (Note 2))

Item	Symbol	MIN.	MAX.	UNIT	Conditions
Input Capacitance	CIN	-	10	pF	VIN=0V
Output Capacitance	COUT	-	10	pF	VOUT=0V

AC CHARACTERISTICS (Ta = -10°C ~ 70°C, VCC = 5.0V ± 10%)

PARAMETER	SYMBOL	23C8000-10		23C8000-12		23C8000-15		23C8000-20		CONDITIONS
		MIN.	MAX.	MIN.	MAX.	MIN.	MAX.	MIN.	MAX.	
Cycle Time	tCYC	100ns	-	120ns	-	150ns	-	200ns	-	
Address Access Time	tAA	-	100ns	-	120ns	-	150ns	-	200ns	
Output Hold Time After Address Change	tOH	0ns	-	0ns	-	0ns	-	0ns	-	
Chip Enable Access Time	tACE	-	100ns	-	120ns	-	150ns	-	200ns	
Output Enable/Chip Select Access Time	tAOE	-	80ns	-	80ns	-	80ns	-	100ns	
Output Low Z Delay	tLZ	0ns	-	0ns	-	0ns	-	0ns	-	Note 3
Output High Z Delay	tHZ		20ns	-	20ns	-	20ns	-	20ns	Note 4

Note:

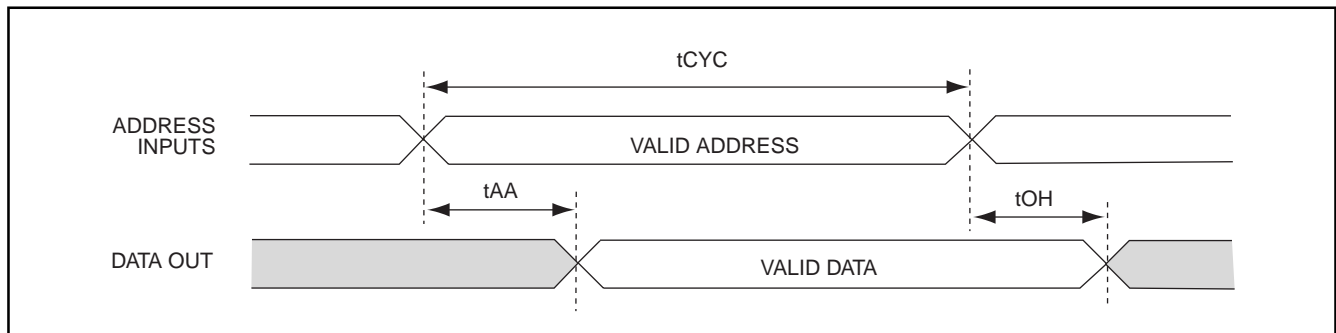
1. Measured with device selected at f=5MHz and output unloaded.
2. This parameter is periodically sampled and is not 100% tested.
3. Output low-impedance delay (tLA) is measured from \overline{CE} going low.
4. Output high-impedance delay (tHZ) is measured from \overline{CE} going high.

AC Test Conditions

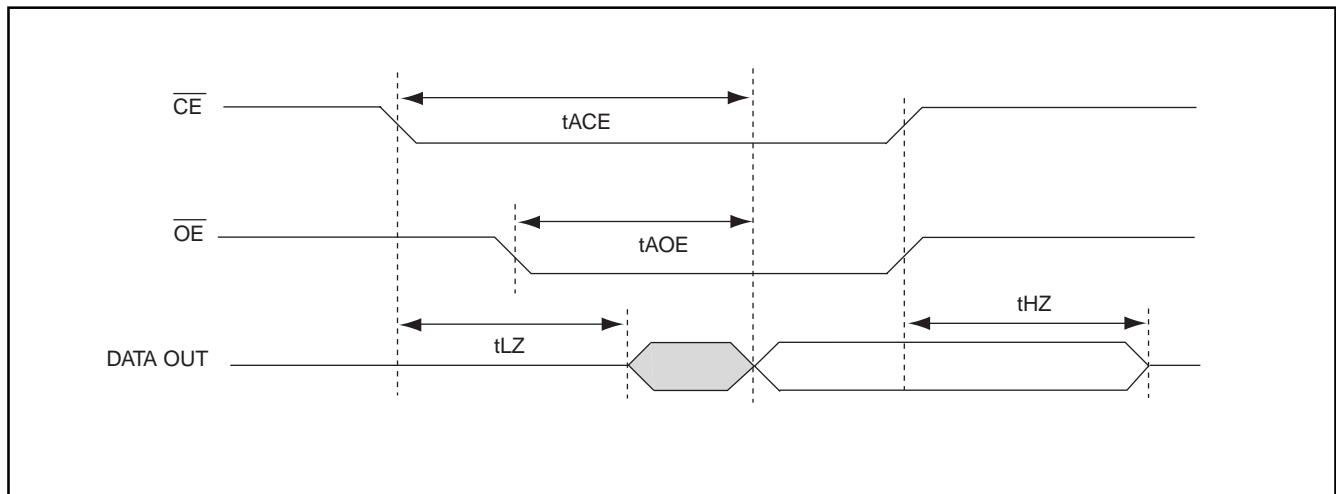
Input Pulse Levels	0.4V~2.4V
Input Rise and Fall Times	10ns
Input Timing Level	1.5V
Output Timing Level	0.8V and 2.0V
Output Load	See Figure

TIMING DIAGRAM

PROPAGATION DELAY FROM ADDRESS ($\overline{CE}/\overline{OE}$ =ACTIVE)



PROPAGATION DELAY FROM CHIP ENABLE (ADDRESS VALID)

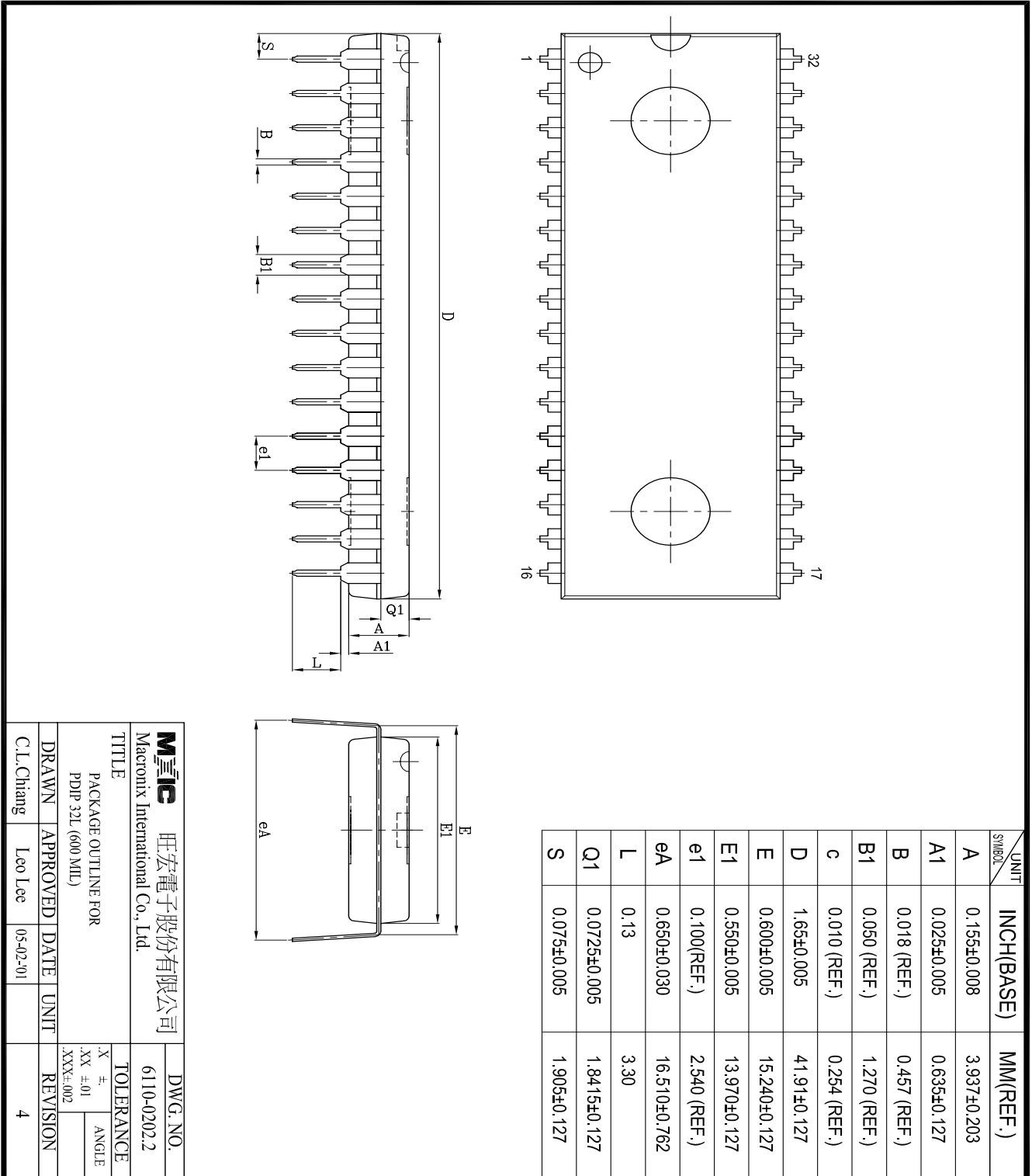


ORDER INFORMATION

Part No.	Access Time	Operating Current MAX.	STANDBY CURRENT MAX.	Package
MX23C8000PC-10	100ns	40mA	100uA	32 pin DIP
MX23C8000MC-10	100ns	40mA	100uA	32 pin SOP
MX23C8000QC-10	100ns	40mA	100uA	32 pin PLCC
MX23C8000TC-10	100ns	40mA	100uA	32 pin TSOP
MX23C8000PC-12	120ns	40mA	100uA	32 pin DIP
MX23C8000MC-12	120ns	40mA	100uA	32 pin SOP
MX23C8000QC-12	120ns	40mA	100uA	32 pin PLCC
MX23C8000TC-12	120ns	40mA	100uA	32 pin TSOP
MX23C8000PC-15	150ns	40mA	100uA	32 pin DIP
MX23C8000MC-15	150ns	40mA	100uA	32 pin SOP
MX23C8000QC-15	150ns	40mA	100uA	32 pin PLCC
MX23C8000TC-15	150ns	40mA	100uA	32 pin TSOP
MX23C8000PC-20	200ns	40mA	100uA	32 pin DIP
MX23C8000MC-20	200ns	40mA	100uA	32 pin SOP
MX23C8000QC-20	200ns	40mA	100uA	32 pin PLCC
MX23C8000TC-20	200ns	40mA	100uA	32 pin TSOP

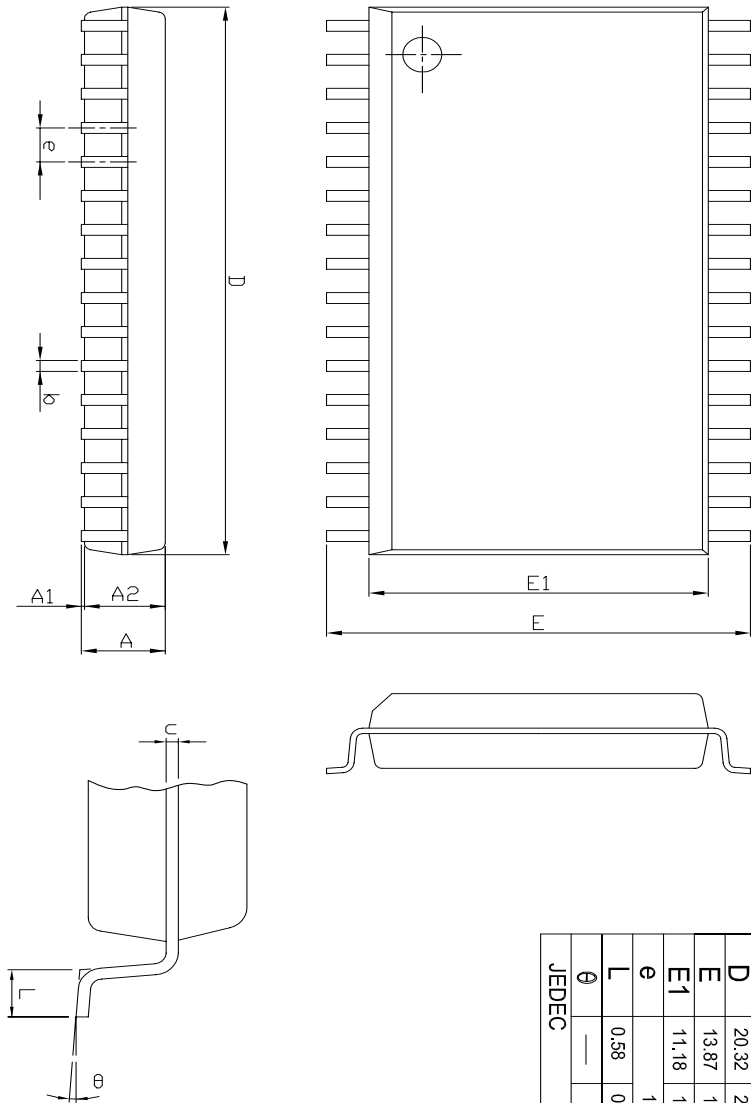
PACKAGE INFORMATION

32-PIN PLASTIC DIP (600 mil)



Mxic 旺宏電子股份有限公司 Macronix International Co., Ltd.		DWG. NO. 6110-0202.2
TITLE PACKAGE OUTLINE FOR PDP 32L (600 MIL)		
DRAWN C.L.Chiang	APPROVED Leo Lee	DATE 05-02-01
REVISION 4		TOLERANCE X # XX ±.01 .XXX±.002

32-PIN PLASTIC SOP (450 mil)

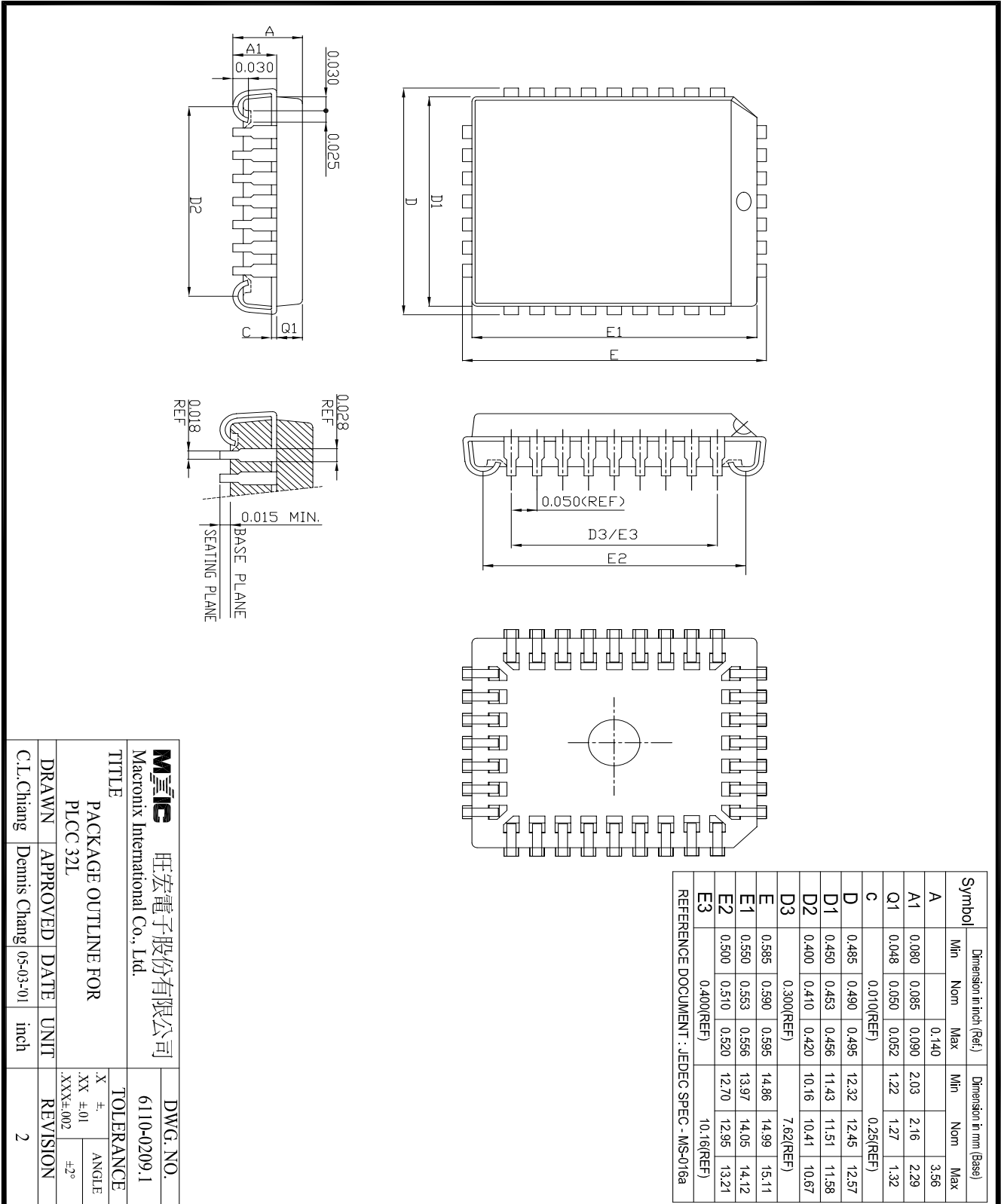


Symbol	Dimension in mm (Base)			Dimension in inch (Ref.)		
	Min	Nom	Max	Min	Nom	Max
A	—	—	3.00	—	—	0.118
A1	0.10	—	—	0.004	—	—
A2	2.57	2.69	2.82	0.101	0.106	0.111
b	0.41 REF			0.016 REF		
C	0.20 REF			0.008 REF		
D	20.32	20.45	20.57	0.800	0.805	0.810
E	13.87	14.12	14.38	0.546	0.556	0.566
E1	11.18	11.30	11.43	0.440	0.445	0.450
e	1.27 REF			0.050 REF		
L	0.58	0.79	0.99	0.023	0.031	0.039
θ	5°			5°		

JEDEC

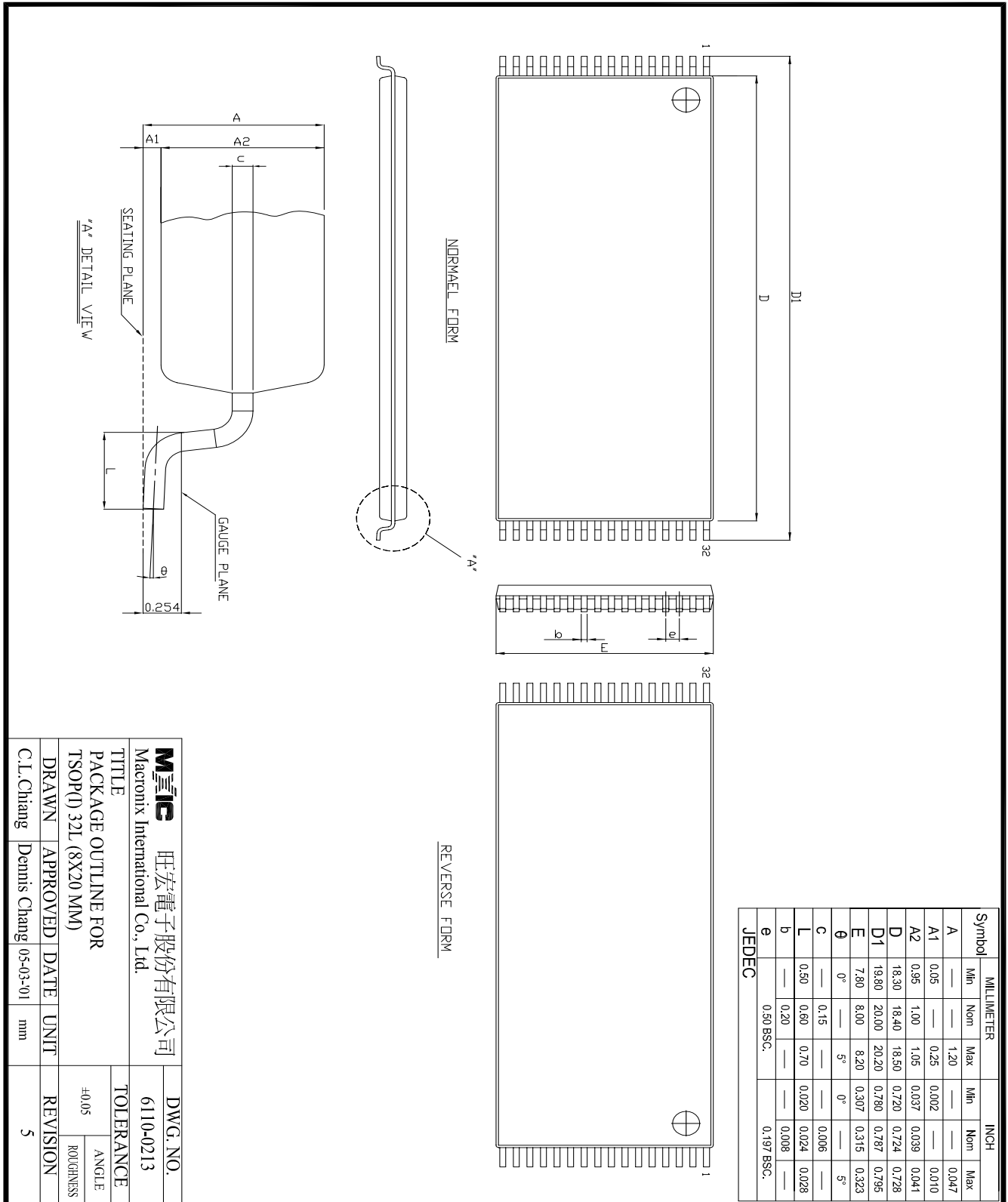
MEXIC 旺宏電子股份有限公司 Macronix International Co., Ltd.		DWG. NO. 6110-0206	
TITLE PACKAGE OUTLINE FOR SOP 32L (450 MIL)			
DRAWN	APPROVED	DATE	UNIT
C.L.Chang	Dennis Chang	05-03-01	INCH
TOLERANCE		REVISION	
X #		ANGLE	
XX ±.01		ROUGHNESS	
.XXX±.002		2	

32-PIN PLASTIC LEADED CHIP CARRIER (PLCC)



Mxic 旺宏電子股份有限公司 Macronix International Co., Ltd.		DWG. NO. 6110-0209.1	
TITLE PACKAGE OUTLINE FOR PLCC 32L		TOLERANCE X ± XX ±.01 XXX±.002	
DRAWN C.L.Chiang	APPROVED Dennis Chang	DATE 05-03-01	UNIT inch
		REVISION 2	

32-PIN PLASTIC TSOP



MAGIC 旺宏電子股份有限公司 Macronix International Co., Ltd.		DWG. NO. 61110-0213	
TITLE PACKAGE OUTLINE FOR TSOP(D) 32L (8X20 MM)		TOLERANCE ±0.05	
DRAWN	APPROVED	DATE	REVISION
C.I. Chiang	Dennis Chang	05-03-01	5
UNIT mm		REVISION	



REVISION HISTORY

REVISION	DESCRIPTION	PAGE	DATE
3.4	tHZ:70ns max. ---> 20ns max.		SEP/25/1997
3.5	AC CHARACTERISTICS tOH 10ns-->0ns	P3	JAN/29/1999
3.6	Modify PIN CONFIGUTATION of 32SOP 30pin A19-->A17 ; 24pin CE/ \overline{CE} -->OE/ \overline{OE}	P1	JUN/08/2000
3.7	Modify Pin Configuration--32TSOP	P1	NOV/08/2000
3.8	Modify Package Information	P5~8	JUL/16/2001



MX23C8000

MACRONIX INTERNATIONAL Co., LTD.

HEADQUARTERS:

TEL: +886-3-578-6688

FAX: +886-3-563-2888

EUROPE OFFICE:

TEL: +32-2-456-8020

FAX: +32-2-456-8021

JAPAN OFFICE:

TEL: +81-44-246-9100

FAX: +81-44-246-9105

SINGAPORE OFFICE:

TEL: +65-348-8385

FAX: +65-348-8096

TAIPEI OFFICE:

TEL: +886-2-2509-3300

FAX: +886-2-2509-2200

MACRONIX AMERICA, INC.

TEL: +1-408-453-8088

FAX: +1-408-453-8488

CHICAGO OFFICE:

TEL: +1-847-963-1900

FAX: +1-847-963-1909

[http : //www.macronix.com](http://www.macronix.com)

This datasheet has been download from:

www.datasheetcatalog.com

Datasheets for electronics components.